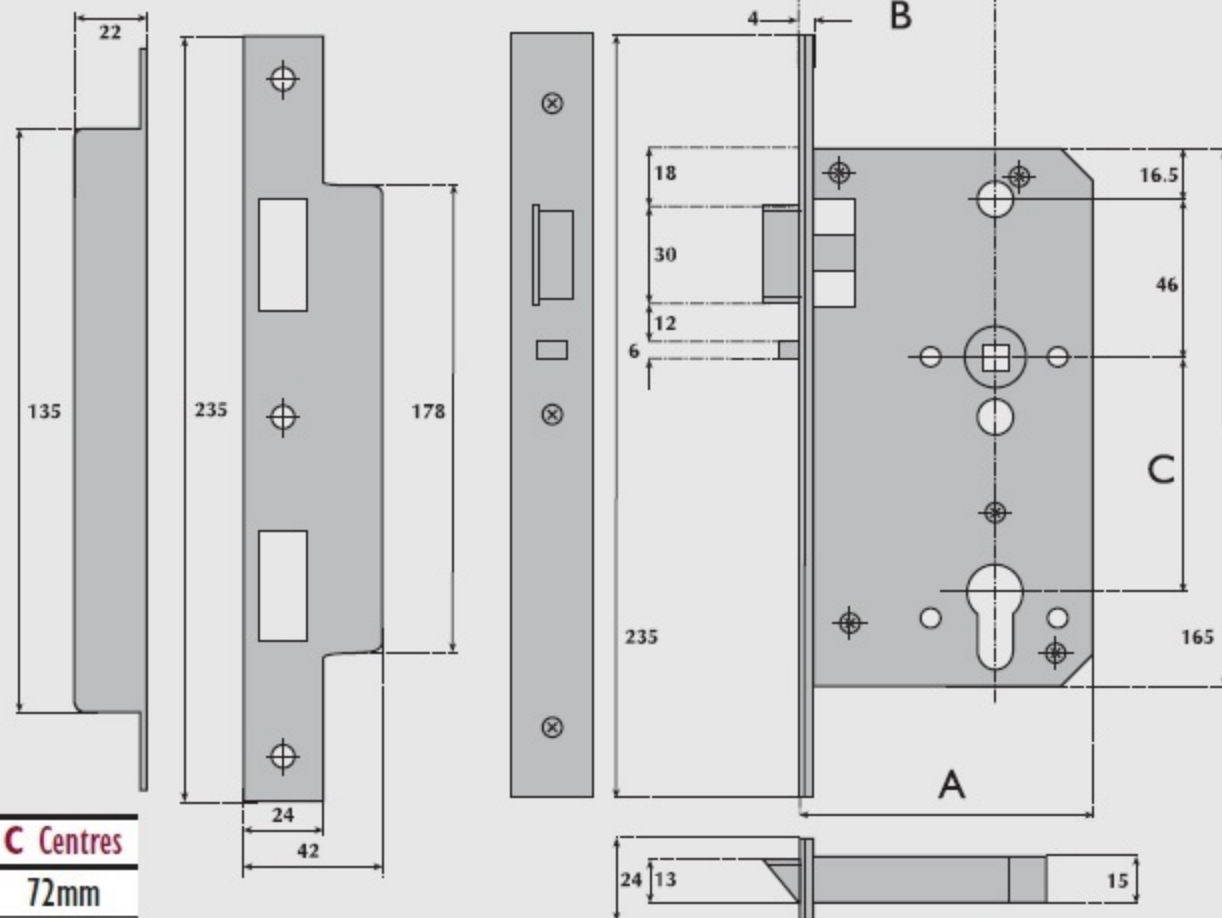


BI072-P Night latch



A Lockcase	B Backset	C Centres
90mm	60mm	72mm
110mm	80mm	72mm
130mm	100mm	72mm

OPERATION:

Latchbolt operated by key from outside and lever handle or turn knob from inside using a single cylinder or by key from either side using a double cylinder. Anti-thrust deadlocks latchbolt. Optional key holdback for latchbolt, please specify.

SPECIFICATION:

CASE.

Steel, powder coated black, pierced to accept 38mm centre bolt through fixing furniture and 38mm centre bolt through fixing escutcheons.

STRIKE PLATE. FOREND.

Finished to match forend.
Brass polished, satin or BMA.
Stainless steel, satin or polished.

LATCHBOLT. FOLLOWER.

Available square or radiussed - please specify.
Brass reversible, zinc plated. Projection 11mm.
Sprung to suit sprung lever handle furniture.

ANTI-THRUST SLIDE.

For unsprung lever handle furniture heavy duty springing should be specified.
Stainless steel, effective at door gaps from 2mm to 4mm.

CYLINDER.

Not supplied. May be used with the following cylinders:
a) Key outside.
b) Key either side.